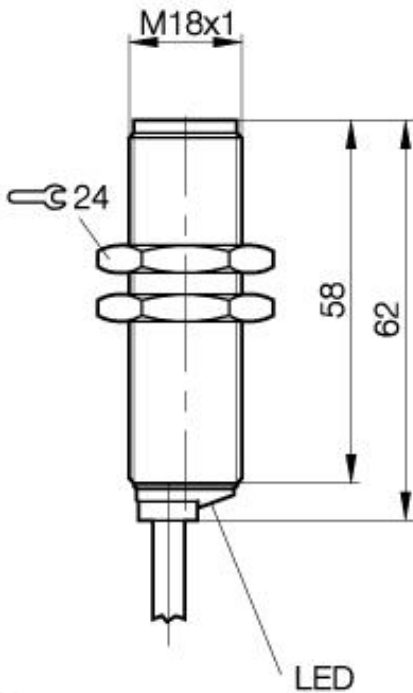


**Photoelectric Sensor**  
**BLE 18M-PO-1P-E4-C-03**  
**Sn=16000mm**  
**through-beam**



PX0062

**Common Data**

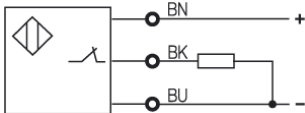
Series	18M
Sensortype	through-beam
Switching frequency	100 Hz
Rated operating distance Sn in mm	16000
assured operating distance Sa	16000
Repeat accuracy	< 5% from Sn
Hysteresis	< 15%
Indication Supply Voltage	no
Indication Switching element on	yes
Indication Special funktion	no
Ambient temperature	-5...+55°C
On-delay	< 5ms
Off-delay	< 5ms
Light	Infrared
Blind zone / min Reflector distance	0
Permissible ambient light	2000 Lux
Output function	light-on

**Mechanical Data**

Measurements	M18x62
Shock	Halfsinus, 30gn, 11ms
Vibration	10...55Hz, 1,5mm Amplitude 3x2h
Housing material	nickel plated brass
Material of sensing face	Glass
Degree of protection	IP67
Connection	Cable
Type of Cable	PVC

**Electrical Data**

Current	DC
Switching function	normally-closed
Output	PNP
Rated operational voltage Ue	24V DC
Rated operational current Ie	200mA
Supply Voltage	10...30V DC
Ripple	< 10% from UB
Frequency of Supply Voltage	DC
Voltage drop	<2,5V
Short protection	yes
Protected against polarity reversal	yes
Rated insulation voltage	250V DC
Output resistance	33kOhm
max. Load capacity	1µF



Utilization categories  
 Insulation class

Datasheet number:

Definitions see general catalog.  
 If not otherwise noted, ratings according to  
 IEC 60947-5-2 (DIN EN60947-5-2)

Balluff GmbH  
 Schurwaldstrasse 9  
 73765 Neuhausen a.d.F.  
 Phone (07158) 173-0 Fax (07158) 5010

Datenblatt by CD-ROM - 04/2007

**BALLUFF**  
 sensors worldwide